

Verderflex

Vantage 3000 B EZ



VERDERFLEX®

Verderflex Vantage 3000 B EZ Specification

Pump head	Acetal and Polyamide, Stainless Steel Shafts, Nylatron® Rollers, Ball Race Bearings
Motor	Intermittent Duty, Permanent Magnet with Long Life Brushed Motor
Rotor	Polycarbonate with Nylatron® Rollers
Power Supply	85 - 265V AC 50/60Hz with Fuseless Resettable Switch
Speed	15 to 150 RPM
Temperature	5°C - 40°C
Protection Class	IP40
Standard Tube	Verderprene, Silicone, Tygon®, Viton®
Tube Sizes	1.6 x 1.6mm, 3.2 x 1.6mm, 4.8 x 1.6mm, 6.4 x 1.6mm and 8.0 x 1.6mm
Weight	4.5 kg
Number of Heads	Single Head

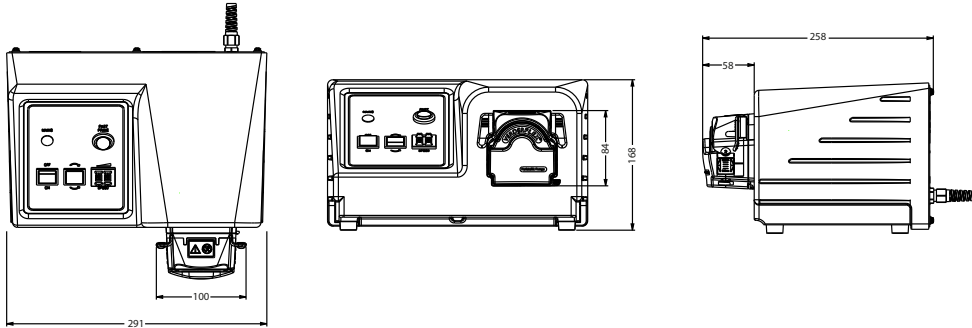
Flow Rates

Tube (ID x WT)	RPM	Flow ml/min	Flow l/hr
1.6 x 1.6 mm	15	4.3	0.26
1.6 x 1.6 mm	30	9	0.5
1.6 x 1.6 mm	75	21	1.26
1.6 x 1.6 mm	150	42	2.5
3.2 x 1.6 mm	15	16	0.96
3.2 x 1.6 mm	30	32	1.9
3.2 x 1.6 mm	75	81	4.9
3.2 x 1.6 mm	150	161	9.7
4.8 x 1.6 mm	15	35	2.1
4.8 x 1.6 mm	30	70	4.2
4.8 x 1.6 mm	75	175	10.5
4.8 x 1.6 mm	150	353	21.1
6.4 x 1.6 mm	15	56	3.36
6.4 x 1.6 mm	30	113	6.8
6.4 x 1.6 mm	75	282	16.9
6.4 x 1.6 mm	150	563	33.8
8.0 x 1.6 mm	15	79	4.74
8.0 x 1.6 mm	30	158	9.5
8.0 x 1.6 mm	75	393	23.6
8.0 x 1.6 mm	150	788	47.3

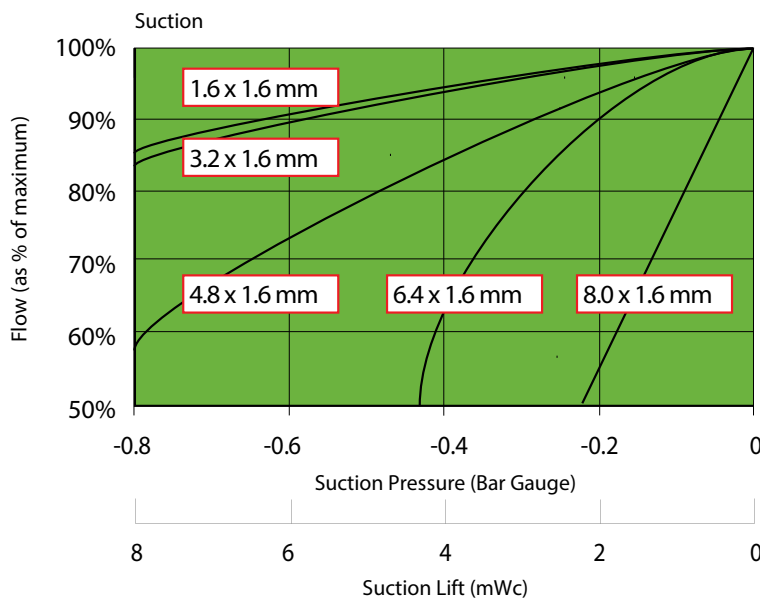
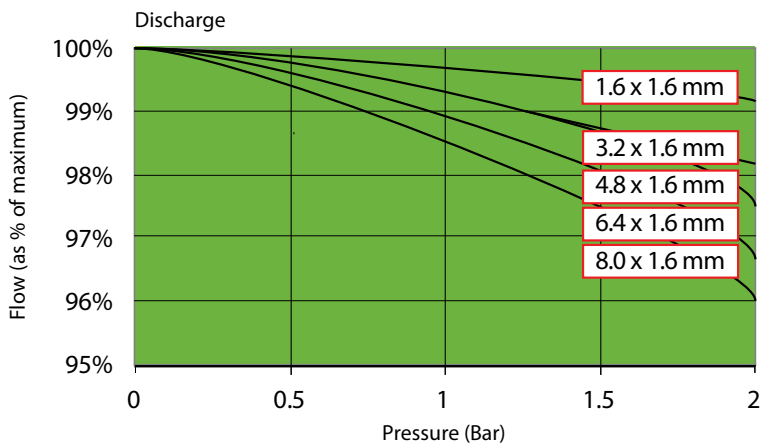
Flows are typical and were measured with water at 20°C with no suction lift or discharge pressure. Actual flows will vary according to suction conditions, discharge pressure and normal component production tolerances.



Verderflex Vantage 3000 B EZ



All dimensions are in mm.
All dimensions and weights are for guidance only.



VF_Techno_Vantage_3000_Rev03_June_2019_(eu)



WolfLabs

Pricing on any accessories shown can be found by keying the part number into the search box on our website.

The specifications listed in this brochure are subject to change by the manufacturer and therefore cannot be guaranteed to be correct. If there are aspects of the specification that must be guaranteed, please provide these to our sales team so that details can be confirmed.

www.wolflabs.co.uk

Tel : 01759 301142

Fax : 01759 301143

sales@wolflabs.co.uk

Please contact us if this literature doesn't answer all your questions.